

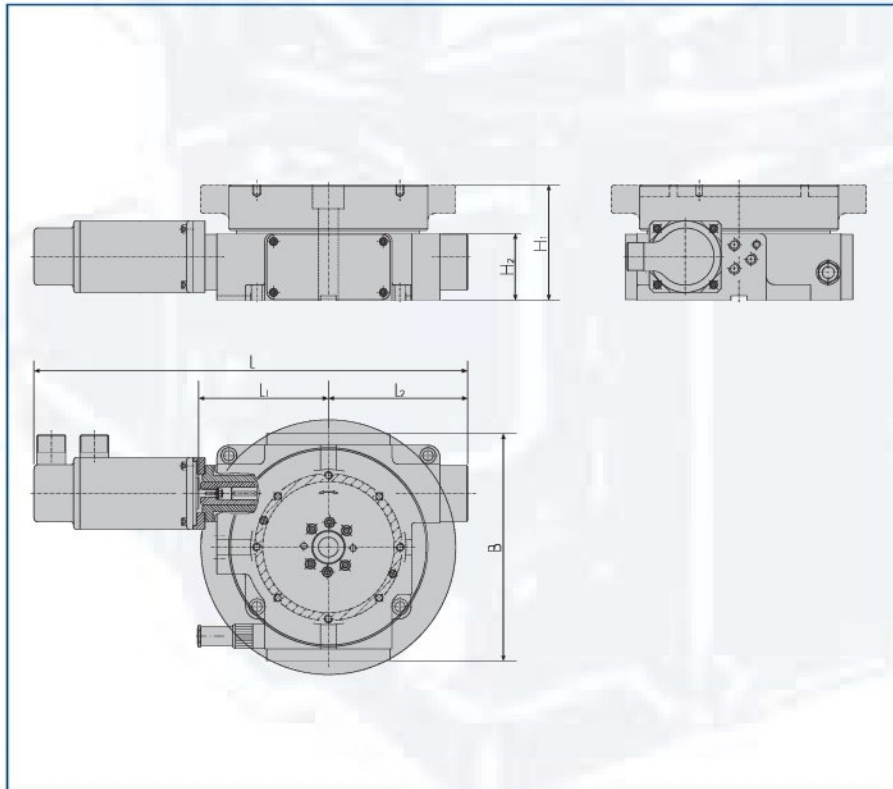
RST H 20 HNC... to RST H 50 HNC

HYDRAULIC ELEVATING ROTARY INDEXING TABLE WITH NC DRIVE AND

► HIRTH COUPLING



*with special plate (optional)



Measurement table	Fixed division F					
	L	L ₁	L ₂	B	H ₁	H ₂
RST H 20 HNC	604	192	192	241	120	80
RST H 30 HNC	696	238	238	286	145	84
RST H 40 HNC	904	342	342	394	205	121
RST H 50 HNC	1252	516	516	585	255	158

Operating data für RST HNC/H Operating pressure at 20 bar		20 HNC		30 HNC		40 HNC		50 HNC	
Plate diameter	mm	160	200	250	320	400	630	630	800
Weight	Kg	22	24	44	47	150	180	365	410
Basic division		96		72		120		240	
Additional divisions on request									
Standard quality		Q24 - Q3		Q24 - Q3		Q24 - Q3		Q24 - Q3	
Max. quality		Q1 on request		Q1 on request		Q1 on request		Q1 on request	
Max. conveyance weight centralised	Kg	120		400		1000		2500	
Torque M _r	Nm	69		124		306		790	
Elevating force F _e	N	4600		13000		25800		98100	
Interlocking force F _i	N	5120		9500		34840		52760	
Interlocking moment against distortion M _{vr}	Nm	1262		2452		13896		32250	
Tilting M _{tr}	Nm	468		946		5551		13162	
Cylinder connections		R 1/4"		R 1/4"		R 1/2"		R 3/4"	