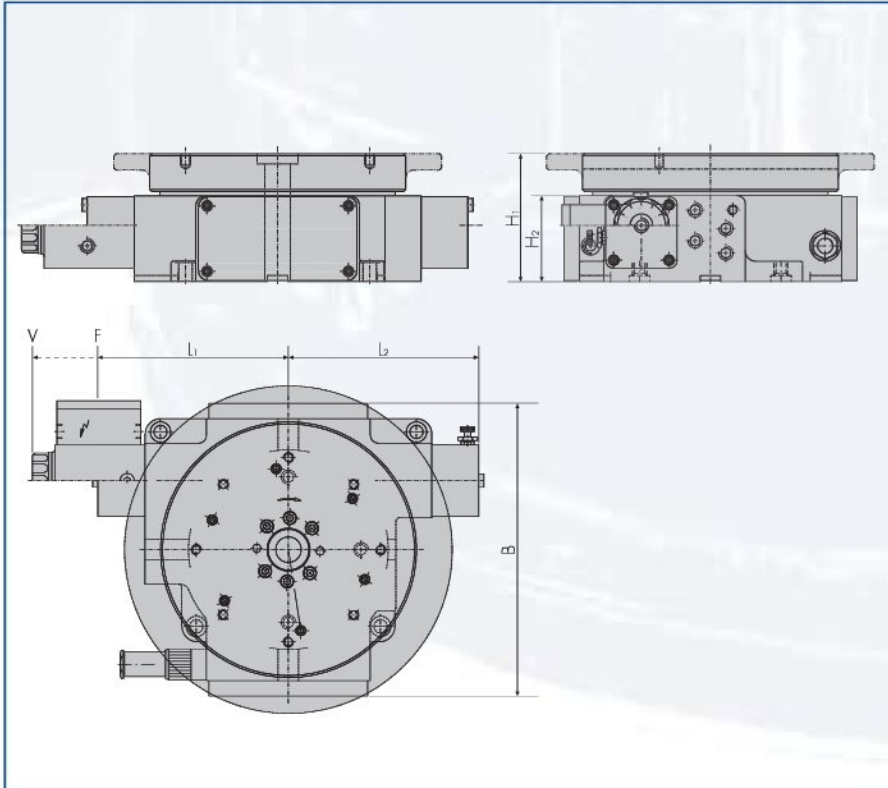


RST B 20 HEX... to RST B 60 HEX

HYDRAULIC ELEVATING ROTARY INDEXING TABLE WITH ELECTRICAL CUSHIONING,
EXTERNAL CONTROL AND

▶ BALL COUPLING



Measurement table		Fixed division F					Variable division V				
Size	Largest division	L ₁	L ₂	B	H ₁	H ₂	L ₁	L ₂	B	H ₁	H ₂
B 20 HEX	TM2 (180°)	192	192	241	110	80	251	192	241	110	80
	TM3 (120°)	154	154	241	110	80	213	154	241	110	80
B 30 HEX	TM2 (180°)	238	238	286	125	84	302	238	286	125	84
	TM3 (120°)	186	186	286	125	84	250	186	286	125	84
B 40 HEX	TM2 (180°)	342	342	394	180	121	420	342	394	180	121
	TM3 (120°)	260	260	394	180	121	338	260	394	180	121
	TM4 (90°)	216	216	394	180	121	294	216	394	180	121
B 50 HEX	TM2 (180°)	516	516	585	240	158	603	516	585	240	158
	TM3 (120°)	382	382	585	240	158	469	382	585	240	158
	TM4 (90°)	315	315	585	240	158	402	315	585	240	158
B 60 HEX	TM2 (180°)	775	775	780	320	185	862	775	780	320	185
	TM3 (120°)	565	565	780	320	185	652	565	780	320	185
	TM4 (90°)	460	460	780	320	185	547	460	780	320	185

Operating data		20 HEX		30 HEX		40 HEX		50 HEX		60 HEX	
RST HEX/B											
Operating pressure at 20 bar											
Plate diameter	mm	160	200	250	320	400	630	630	800	800	1000
Weight	Kg	22	24	44	47	150	180	365	410	978	1088
Basic division		72		72		120		240		240	
Additional divisions on request											
Standard quality		Q24 - Q3		Q24 - Q3		Q24 - Q3		Q24 - Q3		Q24 - Q3	
Max. quality		Q1 on request		Q1 on request		Q1 on request		Q1 on request		Q1 on request	
Switching time	s	On request independent of load and second moment of area									
Max. conveyance weight centralised	Kg	120		400		1000		2500		5000	
Torque M _t	Nm	69		124		306		790		2010	
Elevating force F _v	N	4600		13000		25800		98100		120000	
Interlocking force F _i	N	5120		9500		34840		52760		120000	
Interlocking moment against distortion M _w	Nm	471		1002		5722		13905		39592	
Tilting M _{tk}	Nm	384		865		5133		12792		36722	
Cylinder connections		R 1/4"		R 1/4"		R 1/2"		R 3/4"		R 3/4"	