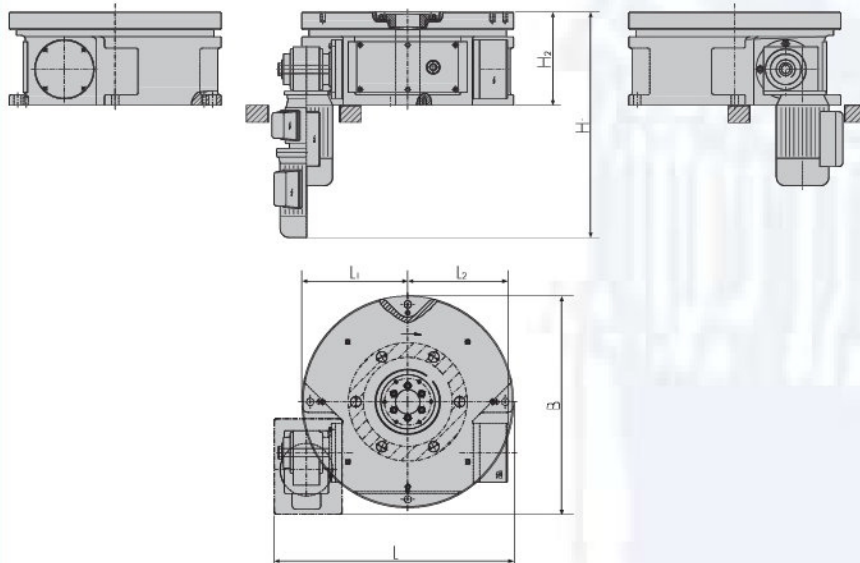


MRT 20 EMZ... to MRT 40 EMZ

ELECTROMECHANICAL ROTARY INDEXING TABLE WITH CYLINDER GUIDE DRIVE



Size	Fixed division F					
	L	L ₁	L ₂	B	H ₁	H ₂
MRT 20 EMZ	275	80	100	280	445	100
MRT 28 EMZ	539	160	179	430	515	115
MRT 30 EMZ	560	160	180	457	569	175
MRT 40 EMZ	595	250	240	582	639	220

Operating data für MRT/EMZ Operating pressure at 6 bar	20 EMZ	28 EMZ	30 EMZ	40 EMZ	
Plate diameter	mm	160	320	320	500
Weight	Kg	25	58	66	181
Standard quality		Q60 - Q30	Q60 - Q30	Q60 - Q30	Q60 - Q30
Switching time	s	Calculated by us independently of load and second moment or area!			
Max. conveyance weight centralised	Kg	60	150	200	500
Tilting M _{sk}	Nm	700	2500	2500	5000
Compressed air supplies		R 1/4"	R 1/4"	R 1/4"	R 1/4"